



Introducing the

# Mobile Chip Sanitiser Trolley



## Protect You and Your Players

\* Patent Pending



**TCSJOHNHUXLEY**

Introducing the

# Mobile Chip Sanitiser Trolley



**TCSJOHNHUXLEY's** Mobile Chip Sanitiser Trolley allows operators to sanitise hundreds of chips at one time, anywhere on the gaming floor.

Designed to hold up to six Chip Sanitiser units providing a total capacity of 600 chips, the Mobile Chip Sanitiser Trolley incorporates its own power unit to ensure a continuous power supply for up to 8 hours.

With no need to connect to power, the Mobile Chip Sanitiser Trolley can be moved around the gaming floor where and when chip sanitisation is required, giving total flexibility.

- Kills germs in minutes
- Sanitises up to 600 chips at one time
- Built-in power unit ensures continuous power supply
- Battery operated
- Robust design allows easy mobility

\*\*Images show UV-C light for illustration purposes only.  
No actual light is visible.

# Mobile Chip Sanitiser Trolley



## LET'S GET TECHNICAL

Dimensions ( L x W x D )      1026mm x 730mm x 1500mm

---

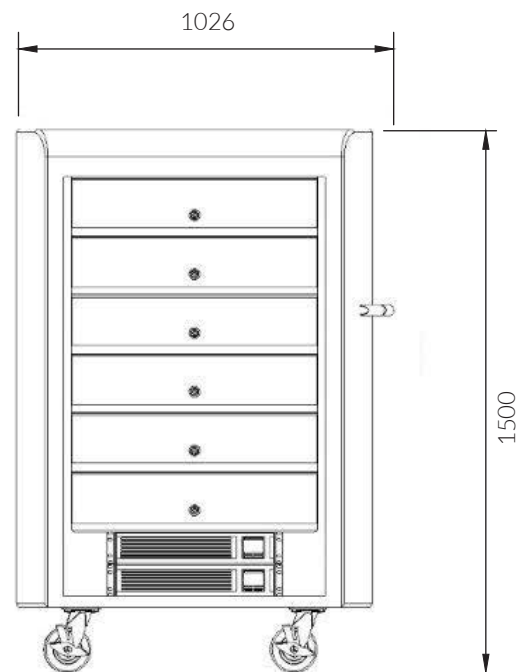
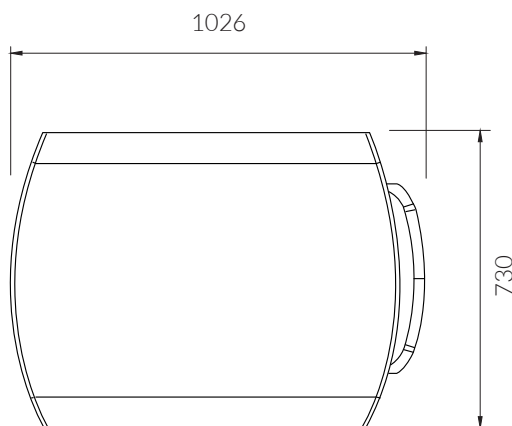
Voltage                              110v - 240v

---

Max battery charge              8 hours

---

## DIMENSIONS



Don't delay, contact us today for fast and easy delivery  
[info@tcsjohnhuxley.com](mailto:info@tcsjohnhuxley.com)

\*Chip Sanitiser, Patent Pending



**TCSJOHNHUXLEY**